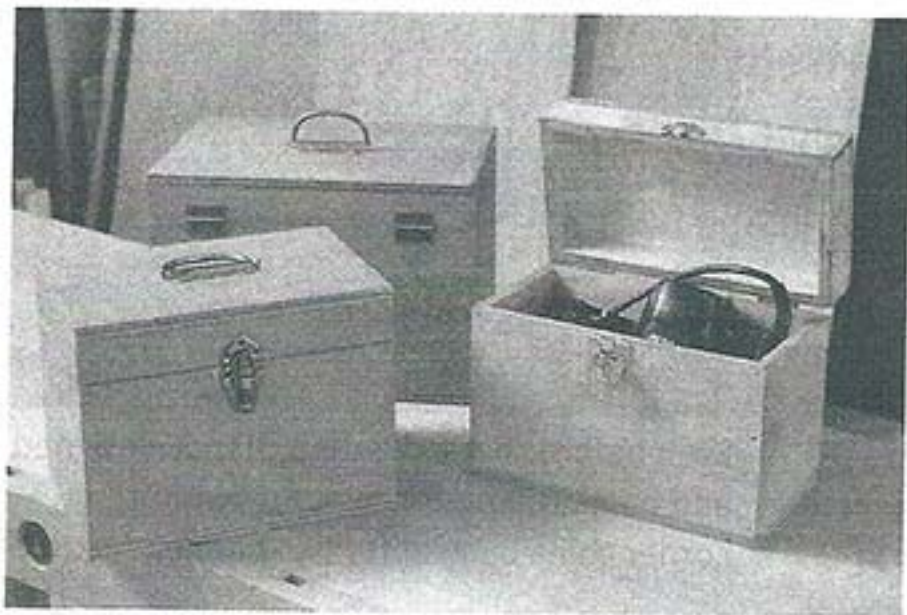
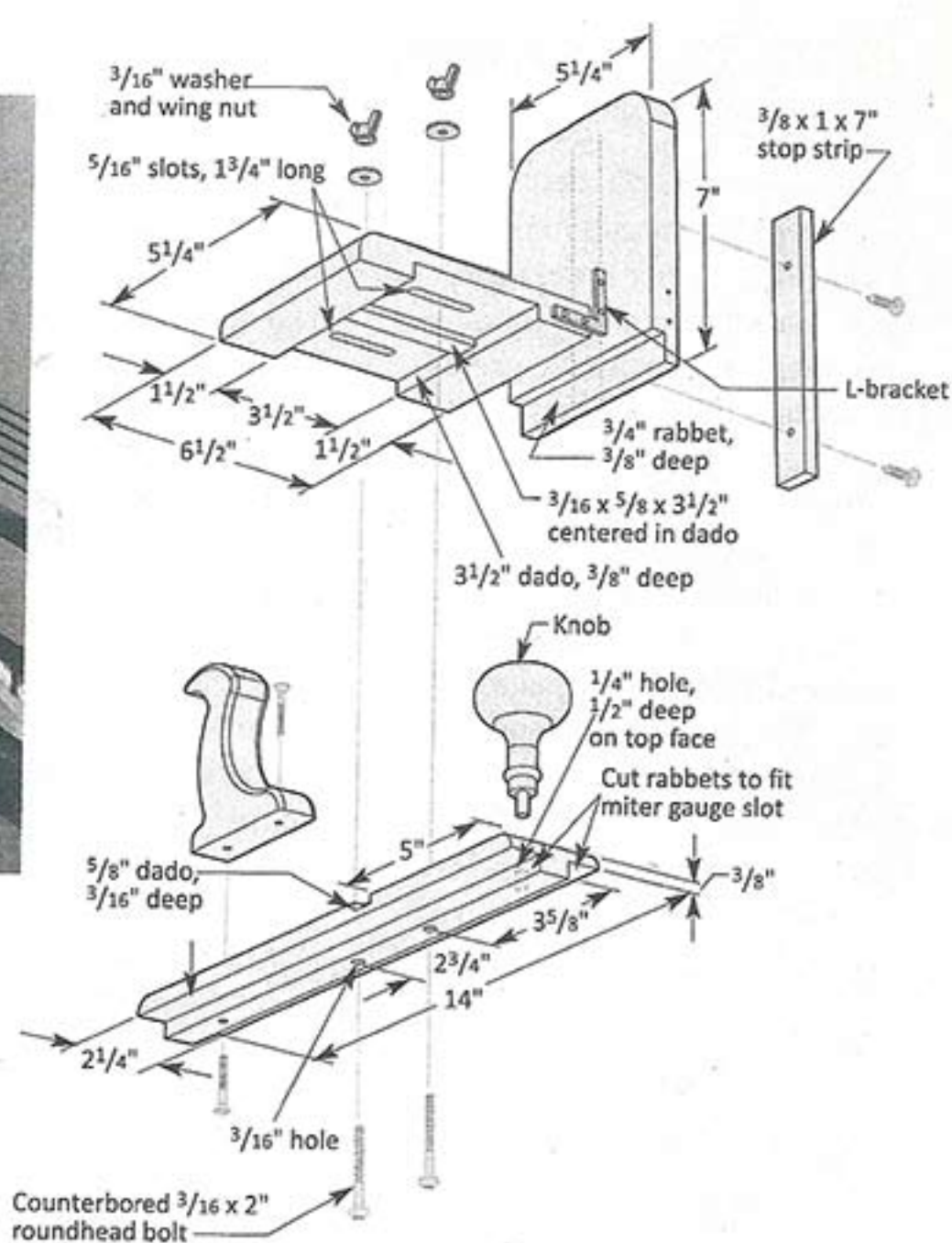




## Adjustable tenoning jig

Sure, you can buy a tenoning jig, but the handles are either lifeless plastic or cold steel. Build your own jig and you'll enjoy the lifetime satisfaction of gripping a pleasing wood knob and handle that you crafted yourself. An insignificant detail? Not for a wood lover.



## Power tool Boxes

Here's an open-and-shut case for portable power tool storage. First, glue and nail the four sides. Cut the top and bottom about  $\frac{1}{8}$ " oversize in both length and width. Then, after assembly, use a flush-trim bit in your router to rout away the excess for a perfect fit.

